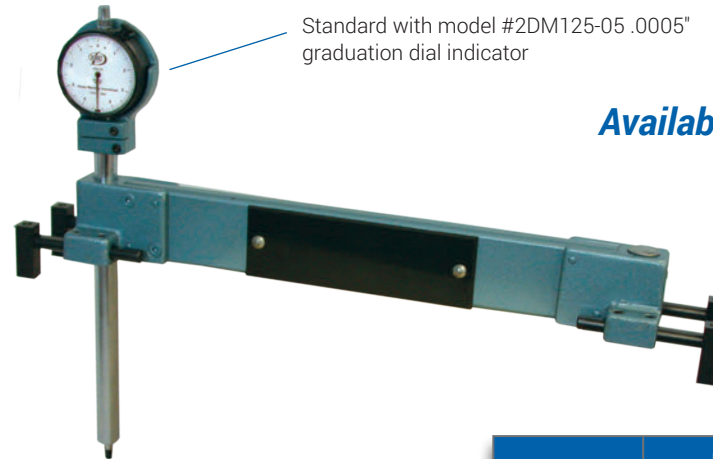




See page 69 for optional frame configurations used to clear obstructions



Standard with model #2DM125-05 .0005" graduation dial indicator

Available in Carbon Fiber

PART #	INCH	METRIC (mm)
	RANGE	RANGE
DDG-12	6 to 12	150 to 300
DDG-18	12 to 18	301 to 460
DDG-24	18 to 24	461 to 610
DDG-30	24 to 30	611 to 760
DDG-36	30 to 36	761 to 915
DDG-42	36 to 42	916 to 1070
DDG-48	42 to 48	1071 to 1220
DDG-54	48 to 54	1221 to 1370
DDG-60	54 to 60	1371 to 1525

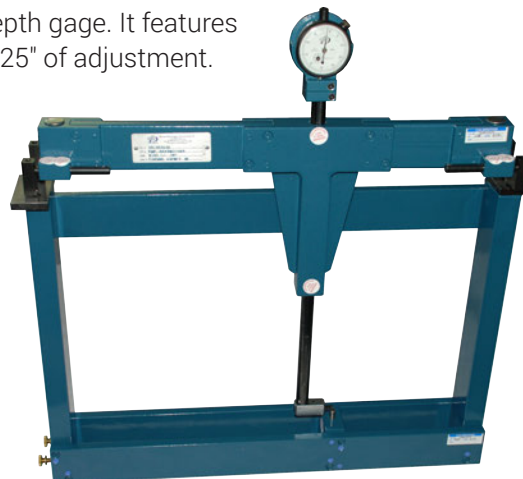
Dorsey DDG style Depth or Height gages are used to measure distances from one surface to another or from one surface to a machine/tool fixture. They are generally designed for a specific application. Depth units can be lever transfer type or direct reading. Gaging travel resolutions are per application requirements.

Please supply Dorsey with part print for quoting. Requires design charge and design approval.

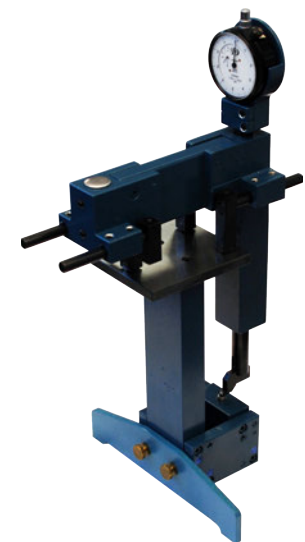
DDGM SETMASTER

The DDGM setmaster is the companion to the DDG series depth gage. It features solid steel precision ground base, hardened rest plates, and .25" of adjustment.

MODEL #	DIAMETER RANGE
DDGM-12	0 to 12
DDGM-18	12 to 18
DDGM-24	18 to 24
DDGM-30	24 to 30
DDGM-36	30 to 36
DDGM-42	36 to 42
DDGM-48	42 to 48
DDGM-54	48 to 54
DDGM-60	54 to 60



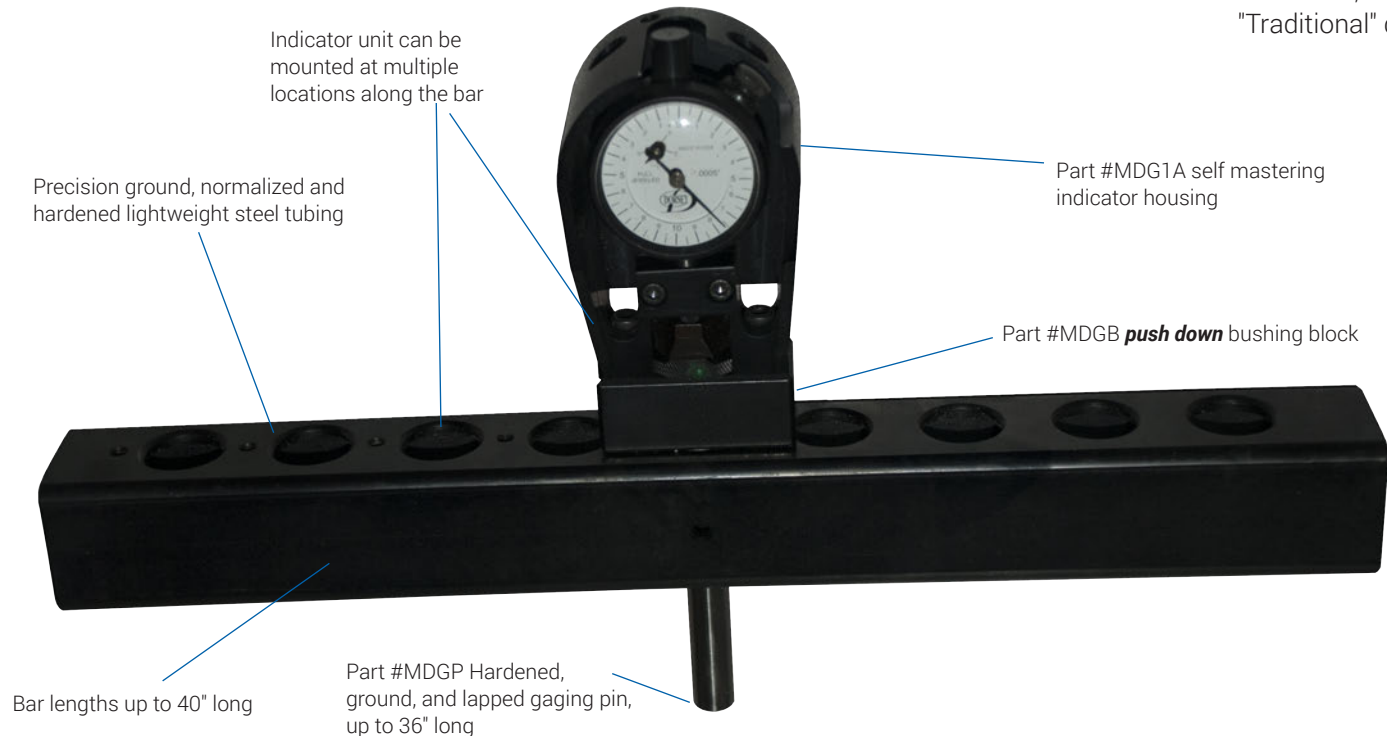
Optional perpendicular indicator unit



The MDG series of modular indicating depth gages are available as fixed or adjustable models. This versatile design allows the mixing and matching of components to build a gage which can suit any application. Designed to replace many dedicated flush pin gages, these gages feature a unique self-mastering mechanism, further eliminating the requirement for a setmaster. An offset contact can be used to check groove depths or locations.

Features

- ✓ Modular design offers maximum versatility.
- ✓ 2 frame styles to suit any application.
- ✓ Heavy duty tube.
- ✓ Self-mastering adjustable and fixed models.
- ✓ A single gage can replace many flush pin gages.
- ✓ Accommodates ANSI AGD #1, #2 dial or digital indicators.
- ✓ Precision ground, stress relieved, and hardened frames and pins.
- ✓ Indicator is sold separately.

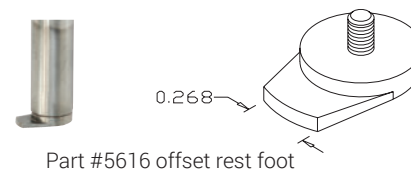


To order MDG series depth gages (part # on next page):

1. Specify frame part # / bar length.
2. Specify pin length by solid pin part # or threaded pin part #.
3. Specify choice of indicator housing: #1 or #2 adjustable self-mastering housing - pull down, #1 or #2 adjustable self-mastering housing - pull up, #1 or #2 fixed series self-mastering housing.
4. Add desired options: extended rest sets, reversible thread-in contact, choice of any #2 "High Amplification", #1 or #2 "Traditional" dial indicators, or digital indicator.



Dorsey Products -
proudly made in the USA



Part #5616 offset rest foot



1.5" x 1.5" Heavy Duty tube 3.5 lbs per ft.



Gaging pins 7/16" Dia.

BAR LENGTH	HEAVY DUTY FRAME
	PART #
13.25"	MDGHT13
15.75"	MDGHT15
18.38"	MDGHT18
21.00"	MDGHT21
26.25"	MDGHT30
31.50"	MDGHT40
39.36"	MDGHT47
47.23"	MDGHT49

MAX GAGING DEPTH	PIN LENGTH	SOLID PIN PART #	THREADED PIN PART #
2"	5.5"	MDGP2	MDGPT2
4"	7.5"	MDGP4	MDGPT4
6"	9.5"	MDGP6	MDGPT4
10"	13.5"	MDGP10	MDGPT10
12"	15.5"	MDGP12	MDGPT12
16"	19.5"	MDGP16	MDGPT16
20"	23.5"	MDGP20	MDGPT20
24"	27.5"	MDGP24	MDGPT24
30"	33.5"	MDGP30	MDGPT30
36"	39.5"	MDGP36	MDGPT36

Extended rest kits

MDG series depth gage with optional extended rest kit used to provide additional frame clearance



Part # MDGRK2 Rest kit, 2" Tall

FRAME CLEARANCE	PART #
1.5"	MDGRK1
2"	MDGRK2
2.5"	MDGRK3

Indicator Housing Assemblies

Adjustable self mastering indicator housing assembly

push down

(Indicator not included)

AGD 1 Part #MDGPD1

AGD 2 Part #MDGPD2



Adjustable self mastering indicator housing assembly

push up

(Indicator not included)

AGD 1 Part #MDGPU1

AGD 2 Part #MDGPU2



Fixed series self mastering indicator housing assembly for AGD # 1, #2 or digital indicators

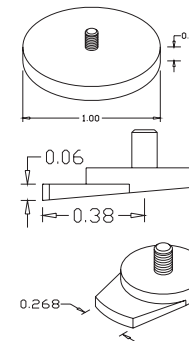
(Indicator not included)

Part #MDGF



REVERSIBLE THREAD IN CONTACT

Requires MGPT series threaded pin



PART #	DESCRIPTION
5615	1" Disc Contact
5616	.75" Reversible Contact