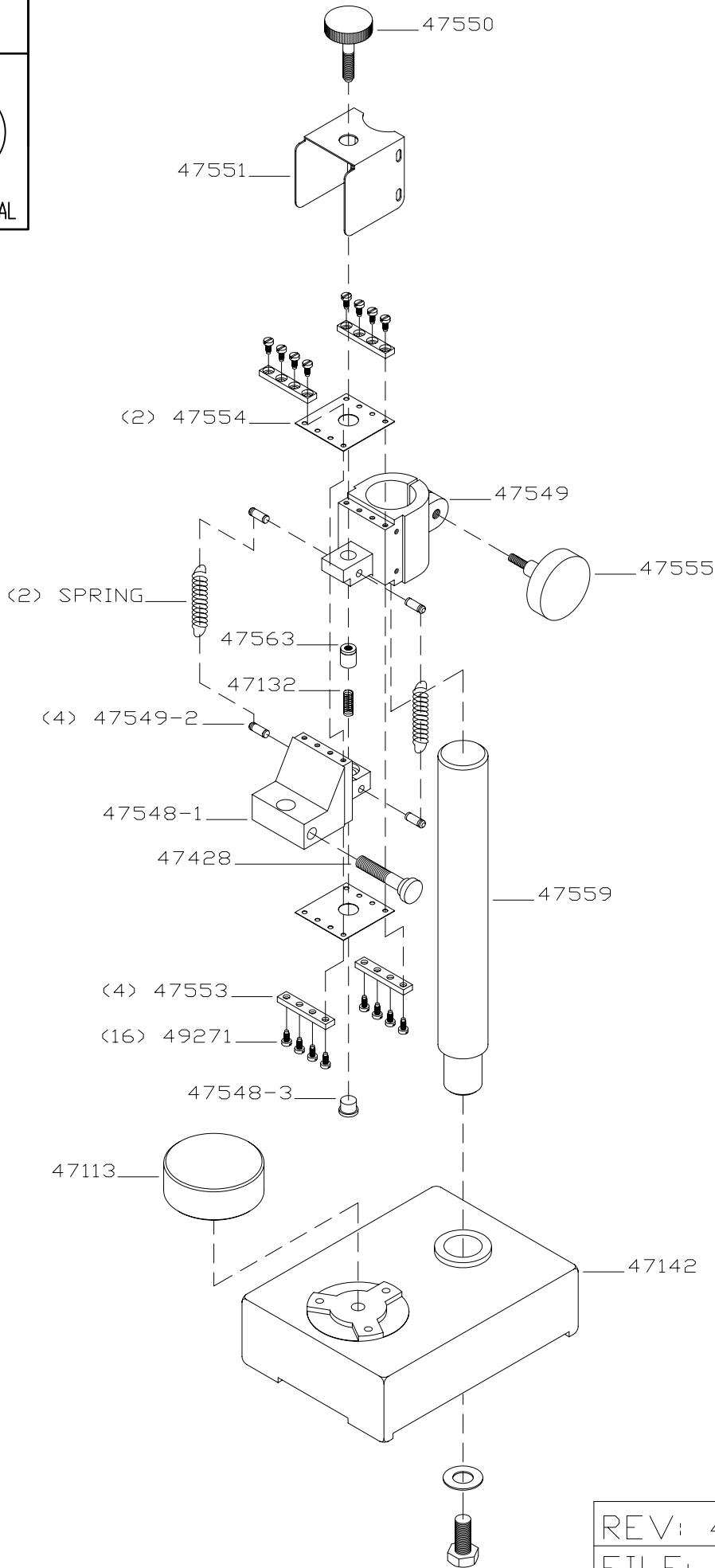
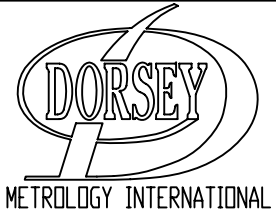


S-2



REV: 4/17/2008
FILE: S-2 ASSY.dwg