

MODEL 14HE

The 14HE is the latest addition to their expanding range of products. This new comparator has the same high quality features as the current product line, but in a smaller package and at a lower price point. The addition of LED surface illumination is another Dorsey innovation.

FEATURES:

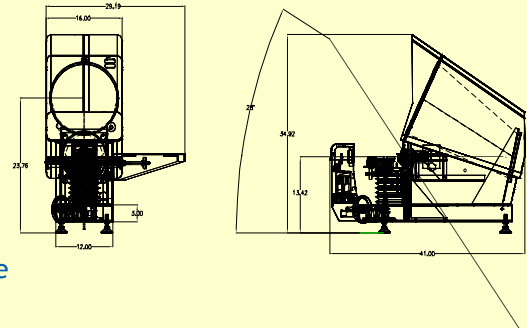
- 14" (350mm) vertical screen for optimum viewing
High Resolution ground glass screen with 90 degree cross lines and chart clips
- Machined chart ring with vernier protractor, 1 minute graduation
- Output for electronic rotary screen protractor with selectable 1 minute or 1/100 of a degree resolution
- Coated telecentric parfocal optics
- Available optional internal edge sensing
- Quick change single lens mount
- Optional fiber optic surface illumination
- Integrated hood
- Nickel plated, completely cast iron workstage
- Triple axes solid crossed roller stage system
- Single universal dovetail
- 16" x 4" overall stage size
- 8" / 200mm X axis travel with "glide release"
- 4" / 100mm Y axis travel (rise and fall)
- 50 lbs. capacity
- ± 5 degree lightsource helix adjustment
- NIST traceable calibration certificate
- 2 year limited warranty



TECHNICAL SPECIFICATIONS

Illumination	Profile: Built-in 24V/150W direct collimated halogen Surface: 24" (600mm) Ground glass with cross-lines
Screen Size	14" (350mm) Ground glass with cross-lines
Workstage	Cast iron, nickel plated, 16" x 4" single dovetail
Workstage Travel	X = 8" (250mm) Y = 4" (150mm) Z = 1" (25mm)
Focus	Built-in 24V/250W
Surface	Within +/- 0.004mm +[(L/20).001]
Workstage Accuracy	Standard: 0.0005mm/.00002"
Linear Scale Resolution	+/- 1 Scale count (0.001mm/.00005")
Repeatability	10x, 20x, 25x, 50x, 100x
Coated Telecentric Lenses	Within +/- .10% Profile, +/- .15% Surface
Optical Accuracy	120V or 240V AC, 50/60 Hz, 10 Amp
Power Requirements	230 lbs. / 105 kg.
Weight	

DIMENSIONS



Proudly made in the USA

