

# LDVA - ID/OD ADJUSTABLE DIAMETER AND DEPTH

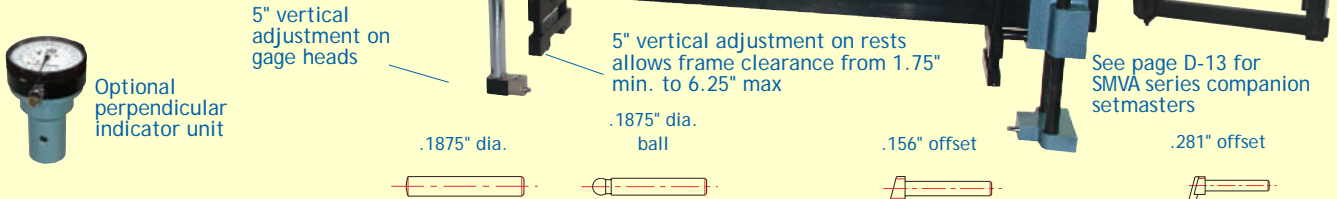
The LDVA is similar to the LDA series gage, except that it offers adjustment in the vertical axis to accommodate depths up to 5".

- To order large diameter gages, use the following sequence to specify the desired configuration (there is no need to specify configuration for standard items).

For example:  
Gage part # - Contact Type - Other Options.

See page D-2 for examples.

- Illustrated parts breakdown can be downloaded at [www.dorseymetrology.com/parts-breakdown.html](http://www.dorseymetrology.com/parts-breakdown.html)



PART #	INCH	METRIC (mm)	STEEL PIN	CARBIDE BALL	STEEL SHOVEL	CARBIDE SHOVEL	EXTENDED CARBIDE SHOVEL
	RANGE	RANGE	SP	CB	SS	CS	ES
LDVA-12	6 to 12	150 to 300	LDVA-12-SP	LDVA-12-CB	LDVA-12-SS	LDVA-12-CS	LDVA-12-ES
LDVA-18	12 to 18	301 to 460	LDVA-18-SP	LDVA-18-CB	LDVA-18-SS	LDVA-18-CS	LDVA-18-ES
LDVA-24	18 to 24	461 to 610	LDVA-24-SP	LDVA-24-CB	LDVA-24-SS	LDVA-24-CS	LDVA-24-ES
LDVA-30	24 to 30	611 to 760	LDVA-30-SP	LDVA-30-CB	LDVA-30-SS	LDVA-30-CS	LDVA-30-ES
LDVA-36	30 to 36	761 to 915	LDVA-36-SP	LDVA-36-CB	LDVA-36-SS	LDVA-36-CS	LDVA-36-ES
LDVA-42	36 to 42	916 to 1070	LDVA-42-SP	LDVA-42-CB	LDVA-42-SS	LDVA-42-CS	LDVA-42-ES
LDVA-48	42 to 48	1071 to 1220	LDVA-48-SP	LDVA-48-CB	LDVA-48-SS	LDVA-48-CS	LDVA-48-ES
LDVA-54	48 to 54	1221 to 1370	LDVA-54-SP	LDVA-54-CB	LDVA-54-SS	LDVA-54-CS	LDVA-54-ES
LDVA-60	54 to 60	1371 to 1525	LDVA-60-SP	LDVA-60-CB	LDVA-60-SS	LDVA-60-CS	LDVA-60-ES

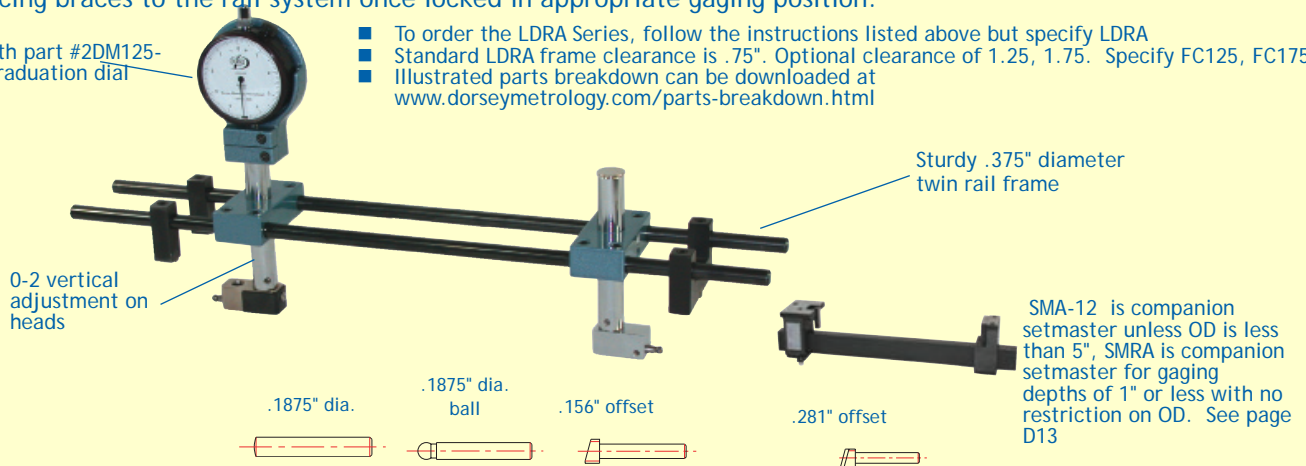
For gage less indicator, add "-NI" to the end of the part #

# LDRA SERIES - ID/OD ADJUSTABLE RAIL FRAME

The LDRA gage uses twin parallel rails for a versatile and economical adjustable frame. End blocks and rests blocks act as reinforcing braces to the rail system once locked in appropriate gaging position.

Standard with part #2DM125-05 .0005" graduation dial indicator

- To order the LDRA Series, follow the instructions listed above but specify LDRA
- Standard LDRA frame clearance is .75". Optional clearance of 1.25, 1.75. Specify FC125, FC175
- Illustrated parts breakdown can be downloaded at [www.dorseymetrology.com/parts-breakdown.html](http://www.dorseymetrology.com/parts-breakdown.html)



PART #	INCH	METRIC (mm)	STEEL PIN	CARBIDE BALL	STEEL SHOVEL	CARBIDE SHOVEL	EXTENDED CARBIDE SHOVEL
	RANGE	RANGE	SP	CB	SS	CS	ES
LDRA-12	4 to 12	100 to 300	LDRA-SP	LDRA-CB	LDRA-SS	LDRA-CS	LDRA-ES

Proudly made in the USA

