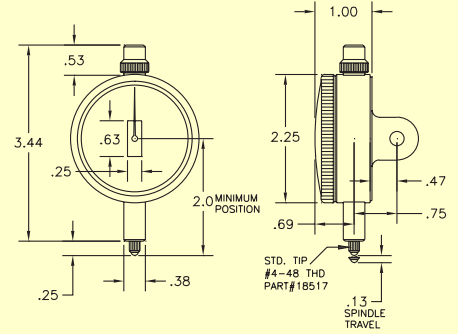
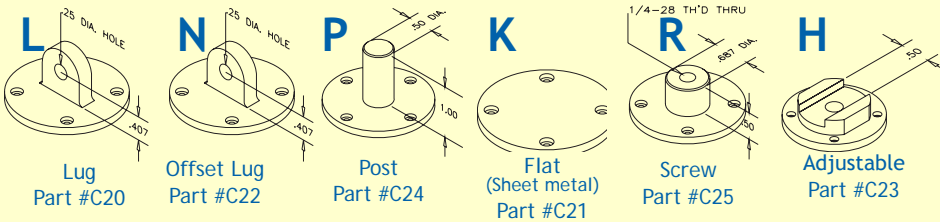


TRADITIONAL DIAL INDICATORS

BACK OPTIONS FOR GROUP 2



The letter designating the indicator back follows the letter designating the dial format.

Example #1: 2I50-01B

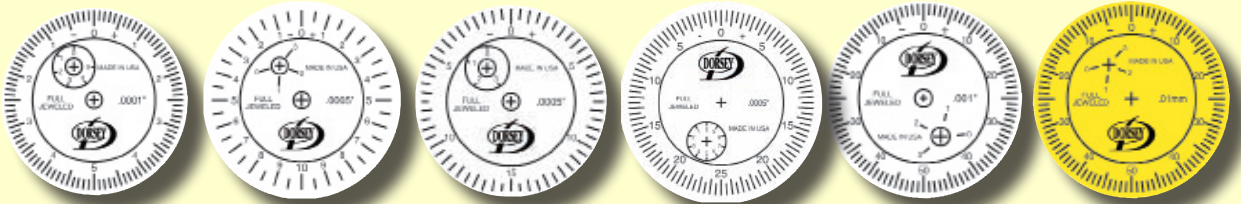
H

Example #2: 2DM100-01B

H

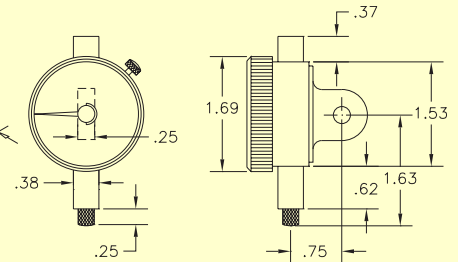
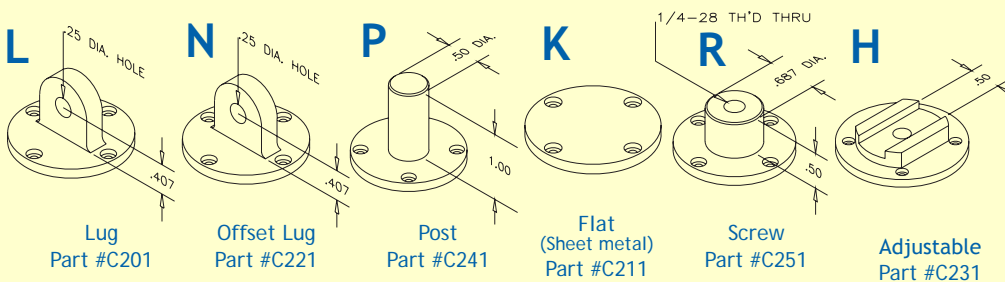
See page A-12 for dial face options, A-13 for accessories and contacts

GROUP 1 TRADITIONAL DIAL INDICATORS



MODEL	1DM025-01	1DM050-05	1DM075-05	1DM125-05	1DM250-10	1DM2-01mm
Graduation	.0001"	.0005"	.0005"	.0005"	.001"	0.01mm
Total Travel	.025"	.050"	.075"	.125"	.250"	2.5mm
Revolutions	2.5 Rev.	2.5 Rev.	2.5 Rev.	2.5 Rev.	2.5 Rev.	2.5 Rev.
Travel/Rev.	.010"	.020"	.030"	.050"	.100"	1.0mm

BACK OPTIONS FOR GROUP 1



The letter designating the indicator back follows the letter designating the dial format.

Example #1: 2I50-01B

H

Example #2: 2DM100-01B

H

Proudly made in the USA

