

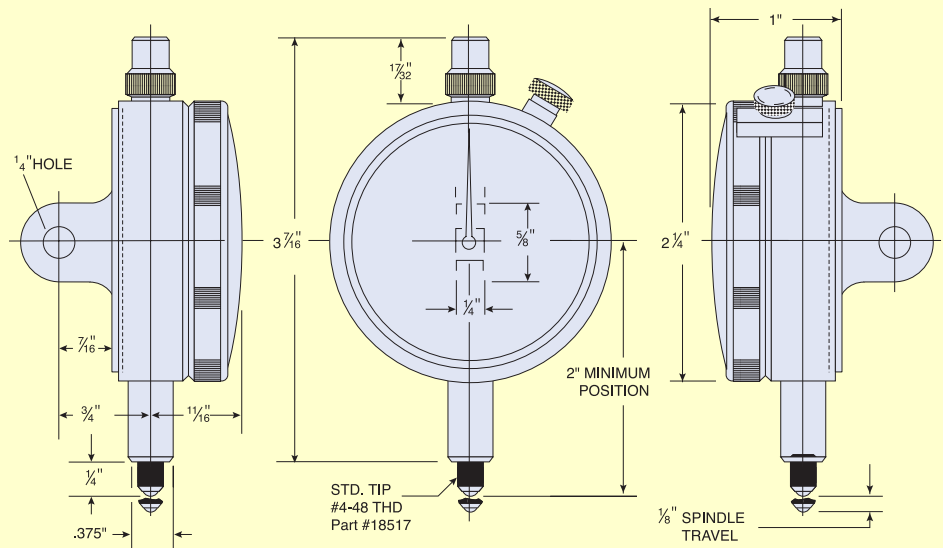
# ULTRA HIGH AMPLIFICATION GROUP 2

All Dorsey Ultra Amplification Indicators utilize the lever principle of motion. They do not rely on rack and pinion motion. This eliminates the inherent error between the meshing of racks and gears.

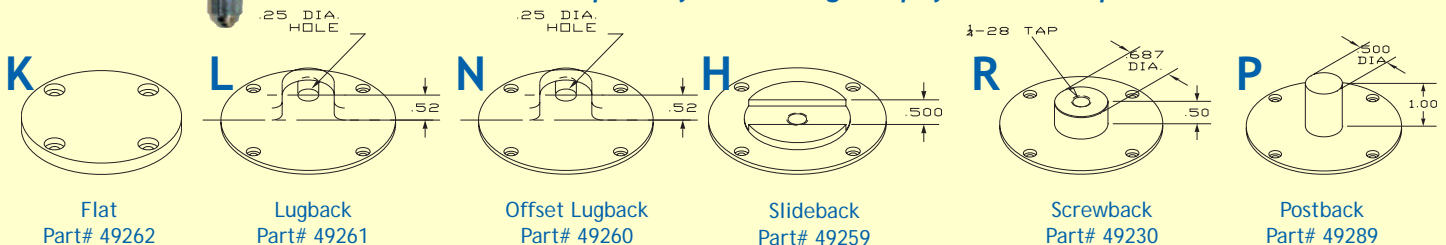


## FEATURES:

- High amplification movement - graduations as low as .00005". Improves readability and minimizes judgement error.
- Lever principle of amplification - minimizes effect of spindle sidsshake. Linearity and repeatability maintained through millions of cycles.
- 2.25" Bezel - fits many existing fixtures. Conforms to ANSI/AGD standards.
- Low gaging force - standard is 3 oz. Available at higher or lower values with factory adjustment.
- Bezel zero adjustment - insures positive lock
- Straight through spindle - permits installation of top mounted Accessories and options.
- Optional lifting lever positions - can be attached to top bushing or stem.
- Optional tolerance hands - accommodates tolerance hands to facilitate production gaging.



Indicator back options for Ultra High Amplification Group 2



See page A-12 for dial face options, A-13 for accessories and contacts

Proudly made in the USA

